



# PORTABLE ROTISSERIE CONVERSION KIT

MODEL #CRK-6

Carson Rodizio® is a registered trademark All Rights Reserved.



**ATTACH YOUR RECEIPT HERE**

**Serial Number** \_\_\_\_\_ **Purchase Date** \_\_\_\_\_



**Questions, problems, missing parts?** Before returning to your retailer, call our customer service department at 1-901-481-9504, 9 a.m. - 5 p.m., CST, Monday - Friday.

## TABLE OF CONTENTS

---

Package Contents.....	3
Introduction .....	4
Safety Information.....	5
Preparation .....	6
Assembly Instructions .....	7
Assembling The Kit and Skewers.....	9
Lighting The Rotisserie.....	10
Turning On The Rotisserie .....	10
Using The Rotisserie.....	11
Cleaning The Rotisserie .....	12
Limited Warranty.....	13
Replacement Parts And Accessories .....	13

# PACKAGE CONTENTS

---



A



B



C



D



E



F



G



H



I

## INTRODUCTION

---

Please read and understand this entire manual before attempting to assemble, operate, or install the product.

---

Your Carson Rodizio Kit has been engineered and manufactured to our high standard for dependability, ease of operation, and operator safety. When properly cared for, it will give you years of trouble-free performance. Please remember to save the manual for future reference!

**NOTE:** This manual applies to the Carson Rodizio Kit CRK-6. Please visit [www.carsonrodizio.com](http://www.carsonrodizio.com) for further information on assembly and specific use.

---

Dear New Carson Rodizio Owner,

On behalf of Carson Rodizio by Tomasi team, I want to personally welcome you to the family!

We are dedicated to bringing home the culture and ease of Brazilian barbecue to you and your family by designing rotisserie grills and accessories which offer portability, style, and functionality to anyone who loves to cook outdoors. Our mission is to revolutionize the Worlds grilling lifestyle through products which enable people who love good food to gather for memorable dining experiences in an atmosphere of friendship and fun.

In purchasing your new grill, you have taken the first step in joining us on our mission. We can't thank you enough for your patronage. Soon you will enjoy the variety, quantity, flavor, ease, speed, and freedom that our grill provides. To add to your Carson Rodizio experience, we invite you to visit our website at [www.carsonrodizio.com](http://www.carsonrodizio.com), where you will find many helpful recipes, tips and videos on how to get the most from your grill.

Please do not hesitate to contact us for any reason regarding your grill, and again, welcome to the Carson Rodizio family!

Sincerely,



Blake Carson  
Executive Carver in Chief



## SAFETY INFORMATION

---

**WARNING:** Please read and understand all instructions before use.

Failure to follow all Warnings, Tips and instruction contained in this manual may result in electric shock, fire, and/or serious personal injury or property damage.

When using this unit, basic safety precautions should be followed, including the following:

1. Read all instructions and warnings before use.
2. Do not touch hot surfaces.
3. This unit should be properly assembled & positioned in accordance with these instructions before use.
4. The use of an accessory not evaluated for use with this product may cause injuries, property damage, or damage to the unit.
5. To protect against electric shock, do not immerse cords, plugs, or the appliance in water or any other liquid.
6. The cord should be arranged so that it will not be unintentionally pulled out or tripped over.
7. Close supervision is necessary when the unit is used near children or pets.
8. Do not use indoors! This CRK-06 is designed for out-door use only. If used indoors, toxic fumes will accumulate and cause serious bodily injury or death and/or property damage.
9. Only use this CRK-6 outdoors in a well-ventilated area. Do not use in a garage, building, breezeway or any other enclosed area.
10. Do not use this CRK-6 under any overhead combustible construction.
11. Improper assembly may be dangerous. Please follow the assembly instructions in this manual. Do not use the CRK-6 unless all parts are in place.
12. You should exercise reasonable care when operating your CRK-6. It will be hot during cooking and should never be left unattended during use.
13. Do not leave infants, children or pets unattended near a hot CRK-6.
14. Do not attempt to move a hot CRK-6. Allow the grill to cool before moving.
15. Do not use this CRK-6 within five feet of any combustible material. Combustible materials include, but are not limited to wood or treated wood decks, patios and porches.
16. Do not wear flammable clothing or clothing with loose flowing sleeves while lighting or using the CRK-6.
17. Do not use the CRK-6 in high winds.
18. Keep the CRK-6 on a secure, level surface at all times, clear of combustible material.

19. Keep the cooking area clear of flammable vapor and liquids, such as gasoline, alcohol, etc., and combustible material.
20. Handle and store hot electric starters carefully, if they are used.
21. Keep electrical wires and cords away from the hot surfaces of the CRK-6 and away from high traffic areas.
22. The use of alcohol, prescription or non-prescription drugs may impair the consumer's ability to properly assemble or safely operate the CRK-6.
23. This CRK-6 is not intended to be installed in or on recreational vehicles and/or boats.
24. This CRK-6 is not intended for and should never be used as a heater.
25. Using abrasive cleaners on the CRK-6 itself will damage the finish.
26. The CRK-6 should be thoroughly cleaned on a regular basis.
27. Unplug the CRK-6 from the power source when not in use or before cleaning.
28. Do not use the CRK-6 for other than its intended use.
29. Do not operate the CRK-6 with a damaged cord or plug.
30. Do not operate the CRK-6 if it should malfunction.
31. If use of an extension cord is required, ensure that it is a minimum 16 AWG, 3 wire, well insulated cord, marked for OUT-DOOR USE ONLY and properly grounded.
32. When using an extension cord, make sure it is not in contact with hot or sharp surface.
33. Outdoor extension cords should be marked with the letters "W-A" and a tag stating "Suitable for use with outdoor appliances".
34. Do not cut or remove the grounding prong from the rotisserie motor power cord.
35. Do not let cord hang over any sharp edge or hot surface.

FAILURE TO OBSERVE THESE WARNINGS AND FAILURE TO FOLLOW ALL TIPS AND INSTRUCTIONS CONTAINED HEREIN MAY CAUSE SERIOUS BODILY INJURY OR DEATH, OR A FIRE, ELECTROCUTION OR EXPLOSION RESULTING IN DAMAGE TO PROPERTY, INCLUDING THE PRODUCT ITSELF OR OTHER PROPERTY!!

## **PREPARATION**

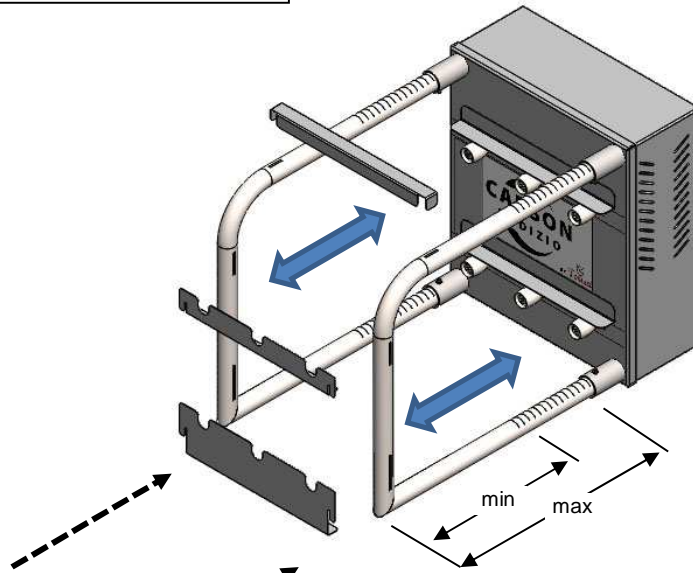
---

Before beginning assembly of product, make sure all parts of the grill are present. Compare parts with contents list above. If any part is missing or damaged, do not attempt to assemble the product. Contact customer service for replacement parts.

**Estimated Assembly Time: 2 minutes**

## ASSEMBLY INSTRUCTIONS

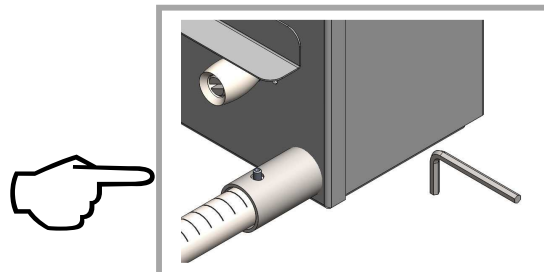
1. Fit the side arms to the chosen mark.



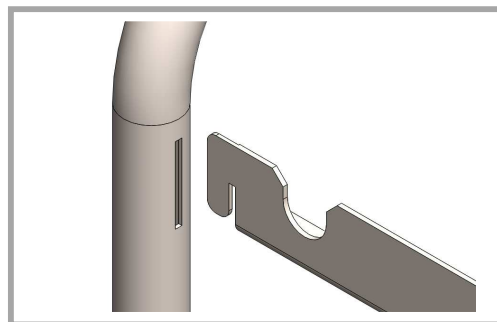
The side arms can be adjusted to fit the dimensions of your barbecue watching the extensions "max" and "min".

2. Place your arms in the marks advancing equally on both sides.

3. Secure the side arms tightening the screws with the allen wrench 1/8".

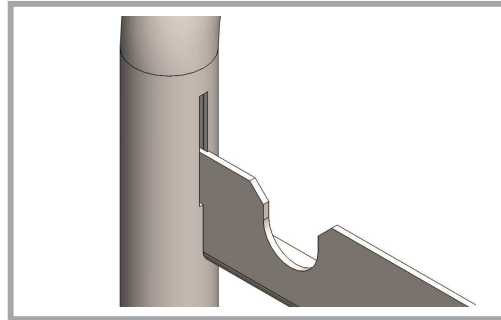
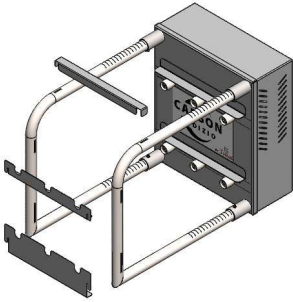


4. Fit the Top Support for Rotating Skewers.

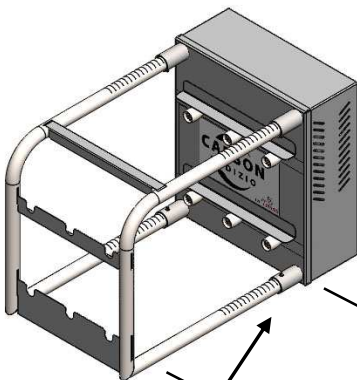
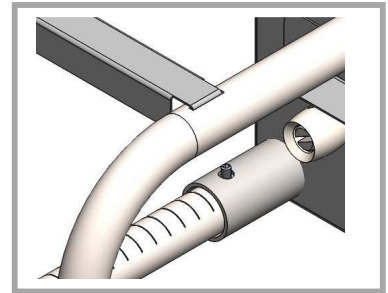
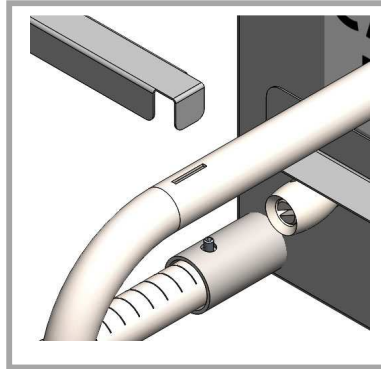


# ASSEMBLY INSTRUCTIONS

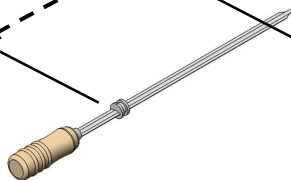
**5.** Fit the Lower Support for Rotating Skewers.



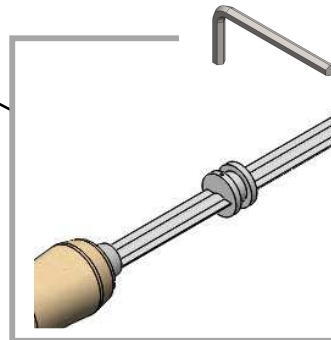
**6.** Fit the Support for Resting Skewers.



Skewers Stopper  
("Tuchos")

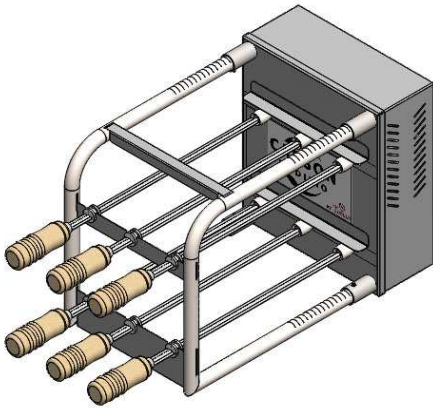


**7.** Adjust the Pulley of each skewer as the preset length in Side Arms. This adjustment must be done with the tips of the skewers fixed in the Skewers Stopper ("tuchos").

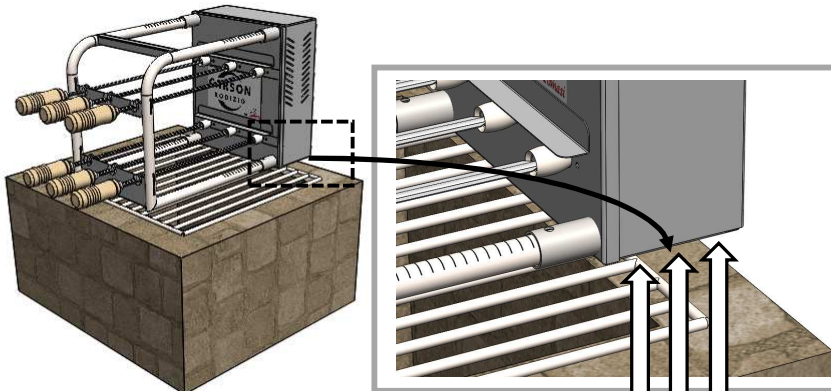




## ASSEMBLING THE KIT AND SKEWERS

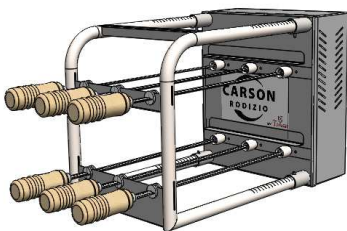


**8.** The Pulley slides on the skewer blade. After defining the position set screw with the allen wrench 1/8 "



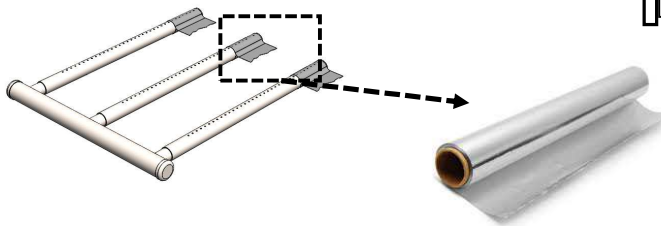
**9.** When installing the CARSON KIT - CRK6 make sure that the Main Case gets as minimal exposure to direct flame as possible. See the fire pit assembly example to the left..

Protect from the fire



\* Gas Grill:  
Wrap the gas exit holes that are under the main case with foil.

Protect from the direct flame.



**NOTE:** Visit [CarsonRodizio.com](http://CarsonRodizio.com) for more information about how to properly assemble your kit to your specific scenario and join in the growing Carson community on our exclusive Facebook group Carson Rodizio Players.

## LIGHTING THE ROTISSERIE

---

Once your Carson Kit has been assembled, you will be able to light the fire. Please visit [CarsonRodizio.com](http://CarsonRodizio.com) for specific instruction on how to properly set up and light for your specific application.

**NOTE:** When using charcoal, light up the fire following the instructions on the Charcoal bag.

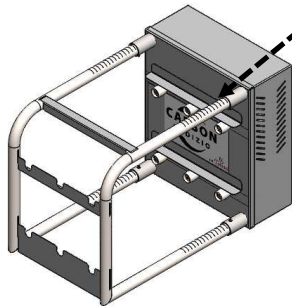
**⚠ WARNING:** When in use, the Carson Kit gets very hot. The skewer and grill handle can become very hot as well. Keep children away from the grill when in use! Use a cloth or wear oven mitts to hold the handles Do not touch any hot surfaces.

## TURNING ON THE ROTISSERIE

---

**10.** Connect the source of electric power.

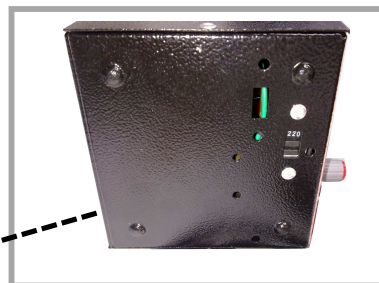
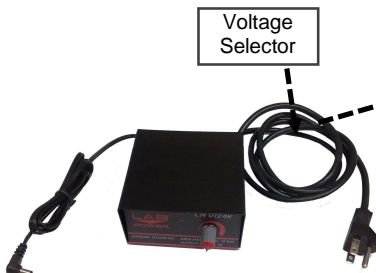
Plug connector into main case cord.



Plug connector into electrical outlet.

**11.** Connect your source in the electric power network.

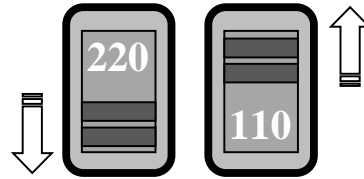
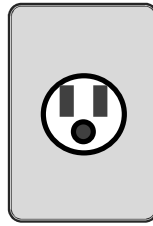
Voltage Selector



## TURINGING ON THE ROTISSERIE

---

**12.** Use a power outlet exclusively for this equipment.



**SELECTVOLTAGE:: 110V or 220V**



**13.** Use the button to activate the rotation of the skewers. You can regulate the desired speed by turning the nob to the right which increases the rotating speed of skewers.

## USING THE ROTISSERIE

---

Once your Carson Kit has been assembled, you will be able to use and light the fire. Please visit [CarsonRodizio.com](http://CarsonRodizio.com) for specific instruction on how to properly set up and use for your specific application.

**NOTE:** When using charcoal, light up the fire following the instructions on the Charcoal bag.

**⚠ WARNING:** When in use, the Carson Kit gets very hot. The skewer and grill handle can become very hot as well. Keep children away from the grill when in use! Use a cloth or wear oven mitts to hold the handles Do not touch any hot surfaces.


## **CLEANING THE ROTISSERIE**

---

Make sure the fire is completely extinguished and the equipment has cooled off before cleaning. Never use water to extinguish the fire as it may damage the unit.

1. To clean grill, use a wet cloth or a sponge with dishwashing liquid and or grill degreaser.

### **WARNING**

 **WARNING:** Do not use any abrasive cleaning supply as it will scratch the grill. Do not pour water over the grill as it may damage the electrical parts.

## LIMITED WARRANTY

---

Carson Rodizio, LLC. warrants directly to you, the original consumer, that the Carson Rodizio Kit purchased by you will be free from defects in materials and workmanship for a three year period from the date of delivery of the product. This warranty is not transferable and requires reasonable proof of purchase.

This warranty does not cover products that have been altered, serviced or repaired by any unauthorized service provider, including the consumer. Damage caused by normal use, rust, improper use, disassembly of parts, internal or external scratches, and/or excessive heat, is considered normal wear and tear and does not constitute defective materials or workmanship covered under this Limited Warranty. This Limited Warranty does not cover any failures or operating difficulties due to accident, abuse, misuse, alteration, misapplication, vandalism, improper installation or improper maintenance or service, or failure to perform normal and routine maintenance. Deterioration or damage due to severe weather conditions such as hail, hurricanes, earthquakes or tornadoes, discoloration due to exposure to chemicals, either directly or in the atmosphere, is not covered by this Limited Warranty. This Limited Warranty does not apply to lost or stolen products.

This Limited Warranty shall be limited to the repair or replacement of parts which prove defective under normal use and service and which on examination shall indicate to the satisfaction of Carson Rodizio, LLC. they are defective.

Carson Rodizio, LLC. does not authorize any repair or attempted re-pair by anyone other than Carson Rodizio, LLC., nor does it authorize any person or company to assume for it any other obligation or liability in connection with the sale, installation, use, removal, return or re-placement of its products; and no such representations are binding on Carson Rodizio, LLC.

Carson Rodizio, LLC. will repair or replace faulty products, at its sole discretion and as specified herein. If Carson Rodizio, LLC. confirms the defect and approves the claim, it will elect to repair or replace such parts without charge to you. If you are required to return defective parts, transportation charges must be prepaid. Carson Rotisseries, Inc. will return parts to the purchaser, carrier or postage prepaid.

**THIS LIMITED WARRANTY IS EXPRESSLY IN LIEU OF ANY OTHER WARRANTIES, EXPRESS OR IMPLIED, INCLUDING ANY WARRANTY OF MERCHANTABILITY OR FITNESS FOR A PARTICULAR PURPOSE. REMEDIES UNDER THIS WARRANTY ARE LIMITED TO THE PROVISIONS OF MATERIAL AND SERVICES, AS SPECIFIED HEREIN.** Carson Rodizio, LLC. is not liable for any special, exemplary, indirect or consequential damages due to a failure or defect in workmanship or materials.

Any claim or cause of action arising from the purchase of the Carson Kt must be brought in Shelby County, Tennessee and governed by Tennessee law without regard to the conflicts of law rules thereof.

## REPLACEMENT PARTS AND ACCESSORIES

---

Visit [www.CarsonRodizio.com](http://www.CarsonRodizio.com) for any replacement parts and other accessories.







[www.CarsonRodizio.com](http://www.CarsonRodizio.com)